



BUILDING CODE COMPLIANCE OFFICE (BCCO)  
PRODUCT CONTROL DIVISION

MIAMI-DADE COUNTY, FLORIDA  
METRO-DADE FLAGLER BUILDING  
140 WEST FLAGLER STREET, SUITE 1603  
MIAMI, FLORIDA 33130-1563  
(305) 375-2901 FAX (305) 375-2908

[www.buildingcodeonline.com](http://www.buildingcodeonline.com)

**NOTICE OF ACCEPTANCE (NOA)**

**PGT Industries**  
1070 Technology Drive  
Nokomis, FL 3427

**SCOPE:**

This NOA is being issued under the applicable rules and regulations governing the use of construction materials. The documentation submitted has been reviewed by Miami-Dade County Product Control Division and accepted by the Board of Rules and Appeals (BORA) to be used in Miami Dade County and other areas where allowed by the Authority Having Jurisdiction (AHJ).

This NOA shall not be valid after the expiration date stated below. The Miami-Dade County Product Control Division (In Miami Dade County) and/or the AHJ (in areas other than Miami Dade County) reserve the right to have this product or material tested for quality assurance purposes. If this product or material fails to perform in the accepted manner, the manufacturer will incur the expense of such testing and the AHJ may immediately revoke, modify, or suspend the use of such product or material within their jurisdiction. BORA reserves the right to revoke this acceptance, if it is determined by Miami-Dade County Product Control Division that this product or material fails to meet the requirements of the applicable building code.

This product is approved as described herein, and has been designed to comply with the Florida Building Code, including the High Velocity Hurricane Zone.

**DESCRIPTION: 1"x Std. Wall-Aluminum Tube Clipped Mullion-L.M.I.**

**APPROVAL DOCUMENT:** Drawing No. 6220, titled "1" STD. Wall, Elevations Aluminum Tube Clipped Mullion", sheets 1 through 5 of 5, prepared by PGT Industries, signed and sealed by Robert L. Clark, P.E., dated 04/28/00, with last revision on 05/30/06, bearing the Miami-Dade County Product Control Renewal Stamp with last the Notice of Acceptance number and expiration date by the Miami-Dade County Product Control Division.

**MISSILE IMPACT RATING: Large and Small Missile Impact**

**LABELING:** Each unit shall bear a permanent label with the manufacturer's name or logo, city, state and following statement: "Miami-Dade County Product Control Approved", unless otherwise noted herein.

**RENEWAL** of this NOA shall be considered after a renewal application has been filed and there has been no change in the applicable building code negatively affecting the performance of this product.

**TERMINATION** of this NOA will occur after the expiration date or if there has been a revision or change in the materials, use, and/or manufacture of the product or process. Misuse of this NOA as an endorsement of any product, for sales, advertising or any other purposes shall automatically terminate this NOA. Failure to comply with any section of this NOA shall be cause for termination and removal of NOA.

**ADVERTISEMENT:** The NOA number preceded by the words Miami-Dade County, Florida, and followed by the expiration date may be displayed in advertising literature. If any portion of the NOA is displayed, then it shall be done in its entirety.

**INSPECTION:** A copy of this entire NOA shall be provided to the user by the manufacturer or its distributors and shall be available for inspection at the job site at the request of the Building Official.

This NOA **revises and renews** NOA # 04-0528.04 and, consists of this page 1 and evidence pages E-1 and E-2, as well as approval document mentioned above.

The submitted documentation was reviewed by **Jaime D. Gascon, P.E.**



*J. Gascon*  
6/28/06

NOA No 06-0125.06  
Expiration Date: June 28, 2011  
Approval Date: July 20, 2006  
Page 1

**PGT Industries**

**NOTICE OF ACCEPTANCE: EVIDENCE SUBMITTED**

**A. DRAWINGS**

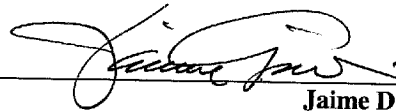
1. Manufacturer's die drawings and sections.
2. Drawing No **6220**, Sheets 1 through 5 of 5, titled "1" STD. Wall, Elevations Aluminum Tube Clipped Mullion, prepared by PGT Industries, dated 04/28/00, with last revision on 05/30/06, signed and sealed by Robert L. Clark, P.E.

**B. TESTS**

1. Test reports on 1) Uniform Load Static Air Pressure Test, per FBC, TAS 202-94  
2) Large Missile Impact Test, FBC, TAS 201-94  
3) Cyclic Loading Test, per FBC, TAS 203-94  
along with installation diagram of a pair of fixed alum. windows (OO configuration) 60" x 54" mullied together with a 1x 2 x std. wall mullion, prepared by Fenestration Testing Laboratory, Inc., Test Report No. **FTL-2902**, dated 01/05/01, signed and sealed by Antonio Acevedo, P.E.  
**"Submitted under NOA# 04-0528.04"**
2. Test reports on 1) Uniform Load Static Air Pressure Test, per FBC, TAS 202-94  
2) Large Missile Impact Test, FBC, TAS 201-94  
3) Cyclic Loading Test, per FBC, TAS 203-94  
along with installation diagram of a pair of fixed alum. windows (OO configuration) 80" x 76" mullied together with a 1x 4 x std. wall mullion, prepared by Fenestration Testing Laboratory, Inc., Test Report No. **FTL-2903**, dated 01/05/01, signed and sealed by Antonio Acevedo, P.E.  
**"Submitted under NOA# 04-0528.04"**
3. Test reports on 1) Uniform Load Static Air Pressure Test, per FBC, TAS 202-94  
2) Large Missile Impact Test, FBC, TAS 201-94  
3) Cyclic Loading Test, per FBC, TAS 203-94  
along with installation diagram of a pair of fixed alum. windows with a transom lite (O/OO configuration) mullied together with a 1x 2 x 3/4" wall vertical mullion and a 2 x 6" x 1/4" wall horizontal mullion, prepared by Fenestration Testing Laboratory, Inc., Test Report No. **FTL-2975**, dated 01/23/01, signed and sealed by Antonio Acevedo, P.E.  
**"Submitted under NOA# 04-0528.04"**

**C. CALCULATIONS**

1. Revised Anchor Calculations and structural analysis, complying with FBC-2004, prepared by PGT Industries, dated 05/30/06, signed and sealed by Robert L. Clark, P.E.



Jaime D. Gascon, P.E.  
Chief, Product Control Division  
NOA No 06-0125.06  
Expiration Date: June 28, 2011  
Approval Date: July 20, 2006

**PGT Industries**

**NOTICE OF ACCEPTANCE: EVIDENCE SUBMITTED**

**D. QUALITY ASSURANCE**

1. Miami Dade Building Code Compliance Office (BCCO).

**E. MATERIAL CERTIFICATIONS**

1. Notice of Acceptance No. **04-0721.01** issued to Elco Textron, Inc., for Tapcon Concrete Anchor, dated 03/09/06, expiring on 01/08/11.

**F. STATEMENTS**

1. Statement letter of conformance and no financial interest, dated 01/23/06, signed and sealed by Robert L. Clark, P.E.

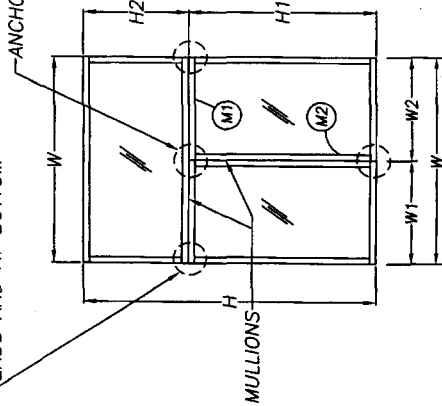
**G. OTHER**

1. Notice of Acceptance No. **04-0528.04**, issued to PGT Industries for 1" x Std. Wall-Aluminum Tube Clipped Mullions, dated 07/08/04 and expiring on 06/28/06.



Jaime D. Gascon, P.E.  
Chief, Product Control Division  
NOA No 06-0125.06  
Expiration Date: June 28, 2011  
Approval Date: July 20, 2006

ANCHORS DETAIL "B",  
"C" OR "D" AT BOTH  
ENDS AND AT BOTTOM



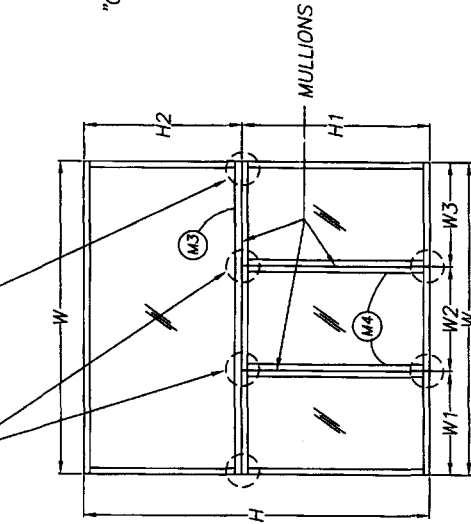
$W = W1+W2$   
 $H = H1+H2$

**(2) WINDOWS MULLED**  
W/ONE ABOVE

FOR DETERMINING MAX ALLOWABLE  
DESIGN PRESSURE SEE TABLES  
ON PAGE 5

- M1) MAX OPENING = H OR H1+H2
- M2) MAX OPENING = W OR W1+W2
- M3) MAX OPENING = W OR W1+W2
- M4) MAX OPENING = W1+W2 OR W2+W3

ANCHORS DETAIL "B",  
"C" OR "D" AT BOTH  
ENDS AND AT BOTTOMS

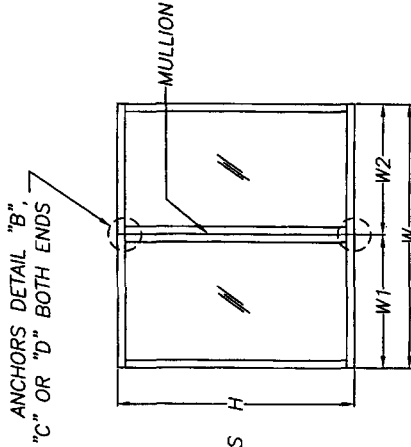


$W = W1+W2+W3$   
 $H = H1+H2$

**MULTIPLE WINDOWS MULLED**  
W/ONE ABOVE

FOR DETERMINING MAX ALLOWABLE  
DESIGN PRESSURE SEE TABLES  
ON PAGE 5

- M3) MAX OPENING = H OR H1+H2
- M4) MAX OPENING = W1+W2 OR W2+W3

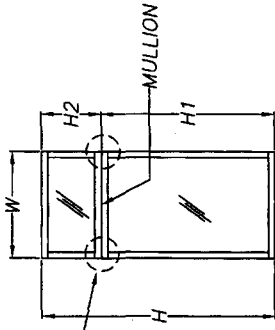


$W = W1+W2$

**(2) WINDOWS MULLED TOGETHER**

FOR DETERMINING MAX ALLOWABLE  
DESIGN PRESSURE SEE TABLES  
ON PAGE 5

- MAX OPENING = W OR W1+W2
- MULL LENGTH = H



$H = H1+H2$

**(1) WINDOW MULLED**  
W/ONE ABOVE

FOR DETERMINING MAX ALLOWABLE  
DESIGN PRESSURE SEE TABLES  
ON PAGE 5

- MAX OPENING = H OR H1+H2
- MULL LENGTH = W

**NOTES:**  
1. THE 33 1/3% STRESS INCREASE HAS NOT BEEN USED IN THE DESIGN OF THIS PRODUCT. FOR ANCHORAGE TYPE, QUANTITY AND LOCATION, REFER TO SHEETS 2, 3 AND 5.  
2. WINDOWS AND DOORS OR COMBINATIONS THEREOF MAY BE MULLED TO A MAXIMUM OF (7) UNITS.  
3. MULLIONS ARE APPROVED FOR IMPACT AND NON-IMPACT APPLICATIONS.  
4. REFERENCE - TEST REPORTS: FTL-2902, 2903 AND 2975.  
ELCO TEXTRON NOA: 04-0721.01, 03-0225.05  
ANSI/AF&PA NDS-2001 FOR WOOD CONSTRUCTION  
ADM-2000 ALUMINUM DESIGN MANUAL  
5. THIS PRODUCT HAS BEEN DESIGNED & TESTED TO COMPLY WITH THE REQUIREMENTS OF THE FLORIDA BUILDING CODE, 2004 EDITION FOR THE HIGH VELOCITY HURRICANE ZONE (HVHZ).  
6. WOOD BUCKS BY OTHERS, MUST BE ANCHORED PROPERLY TO TRANSFER LOADS TO THE STRUCTURE.



1070 TECHNOLOGY DRIVE  
NOKOMIS, FL 34275  
P.O. BOX 1529  
NOKOMIS, FL 34274

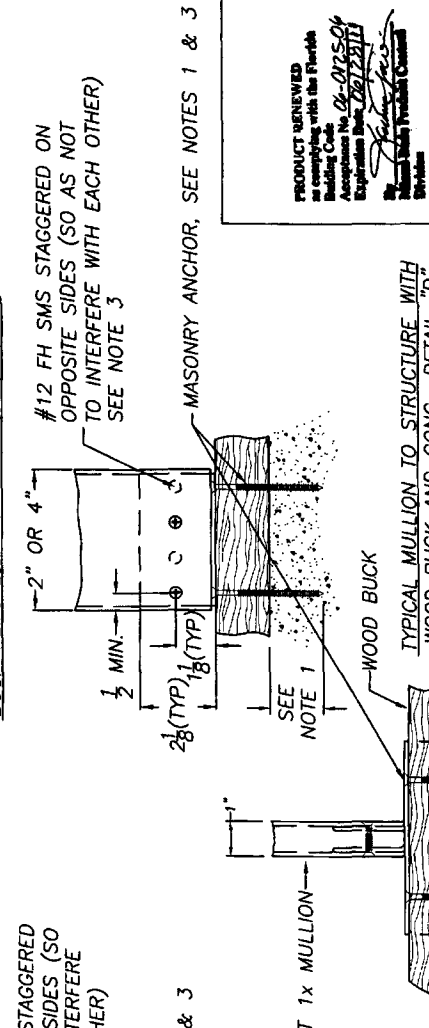
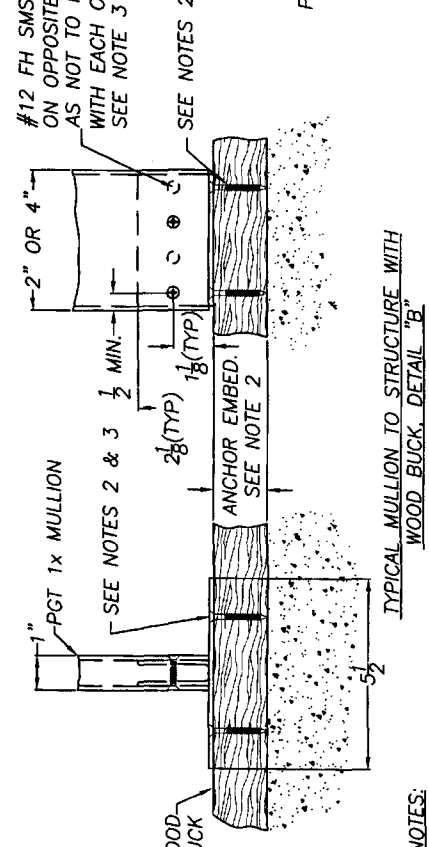
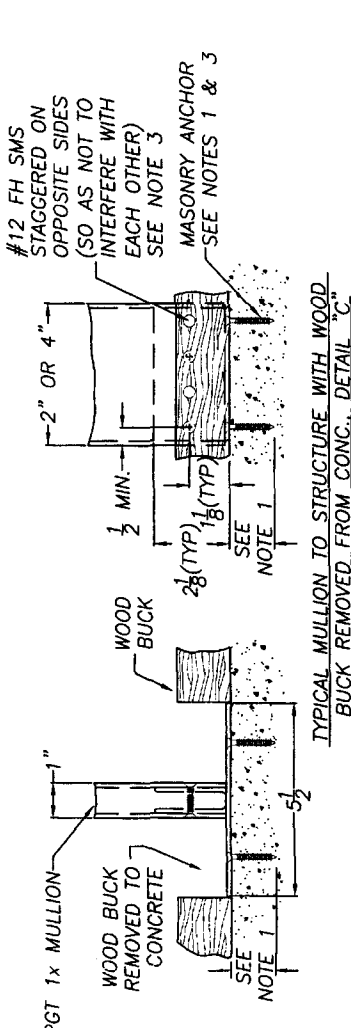
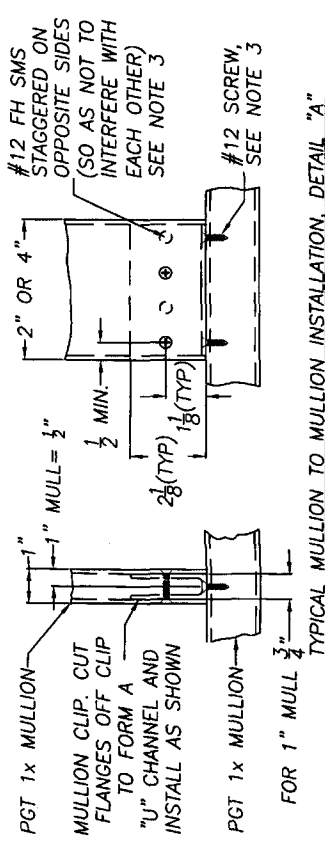
Robert L. Clark, P.E.  
PE #39712  
Structural

**TO BE USED ONLY WITH PGT INDUSTRIES PRODUCTS**

Revised By:	Rev:	Revisions:
F.K.	5/30/06	D-ADD NOTES 5 & 6
Revised By:	Rev:	Revisions:
F.K.	5/8/06	C-ADD TECH. REFS.
Drawn By:	Date:	
P.J.P.	4/28/00	
Description:		
1" STANDARD WALL, ELEVATIONS		

Title:	ALUMINUM TUBE CLIPPED MULLION	
Series/Model:	MULLS	
Scale:	NTS	Sheet: 1 of 5
Drawing No:	6220	Rev: D

PRODUCT REVIEWED  
in compliance with the Florida  
Building Code  
Acceptance No. 04-0225.05  
Approved Date: 04/28/00  
By: Robert L. Clark, P.E.  
PGI Industries Products Company



- NOTES:**
- FOR CONCRETE APPLICATIONS IN MIAMI-DADE COUNTY, USE ONLY MIAMI-DADE COUNTY APPROVED ELCO 1/4" TAPCONS OR 1/4" SS4 CRETE-FLEX MASONRY ANCHORS. MINIMUM DISTANCE FROM CENTER OF ANCHORS TO CONCRETE EDGE IS 2 1/2". MIN. EMBEDMENT: TAPCONS 1 1/4". CRETE-FLEX 1 3/4"
  - FOR WOOD APPLICATIONS USE #12 SCREWS, ELCO 1/4" TAPCONS OR 1/4" SS4 CRETE-FLEX MASONRY ANCHORS. MIN. EMBEDMENT 1 1/2"
  - ANCHOR EMBEDMENT TO BASE MATERIAL SHALL BE BEYOND WALL DRESSING OR STUCCO.
  - FOR MULL SIZE AND QUANTITY OF ANCHORS SEE SHEET 5. FOR ANCHOR LOCATIONS SEE SHEET 3. QUANTITY OF PINNING SCREWS FOR MULL-TO-CLIP TO BE HALF THE QUANTITY OF ANCHORS FROM CLIP-TO-OPENING (MINIMUM OF 2 SCREWS PER CLIP).
  - IMPORTANT: QUANTITY OF ANCHORS SHOWN ABOVE ARE FOR PICTORIAL REPRESENTATION ONLY. FOR CORRECT QUANTITY OF ANCHORS, REFER TO CHARTS 1 AND 2 ON SHEET 5. FIND THE APPLICABLE MULL SIZE AND PRESSURE REQUIRED FOR YOUR SPECIFIC APPLICATION. ANCHORING OR LOADING CONDITIONS NOT SHOWN IN THESE DETAILS ARE NOT PART OF THIS APPROVAL. ALL STEEL IN CONTACT WITH ALUMINUM TO BE PAINTED OR PLATED.
  - REFERENCE TEST REPORTS: FTL-2902, 2903 AND 2975.

**PGT INDUSTRIES**

1070 TECHNOLOGY DRIVE  
MORCOMIS, FL 34275

P.O. BOX 1329  
MORCOMIS, FL 34274

Robert L. Clark, P.E.  
PE #99712  
Structural

5/31/06

TO BE USED ONLY WITH PGT INDUSTRIES PRODUCTS

Revised By:	Rev:	5/30/06	D-MODIFY NOTES 3 & 5
Drawn By:	Rev:	5/8/06	C-ADD EMBED. DETAILS
Check By:	Rev:	4/28/00	

Description: 1" STD. WALL, CLIP INSTALLATION DETAIL

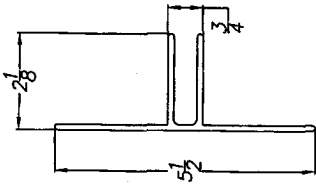
Title: ALUMINUM TUBE CLIPPED MULLION

Scale: NTS 2 of 5

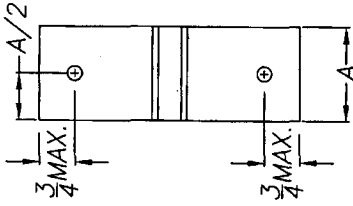
Sheet: 6220

Rev: D

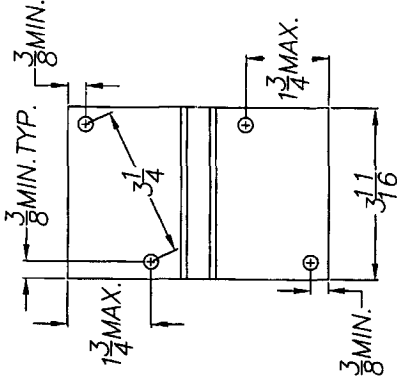
PRODUCT REVIEWED in compliance with the Florida Building Code. Acceptance No. 06-07504. Expiration Date: 07/31/11. PGT Industries, Inc. 1070 Technology Drive, Morcomis, FL 34275



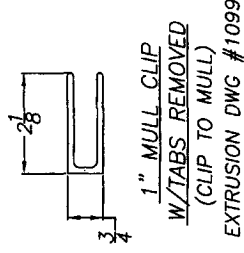
1" MULL CLIP  
(CLIP TO OPENING)  
EXTRUSION DWG #1099



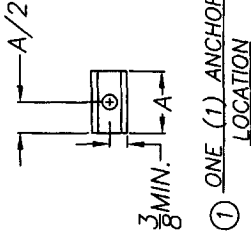
(A) TWO (2) ANCHOR LOCATIONS



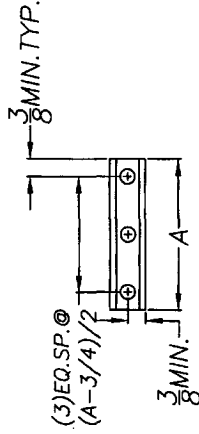
(B) FOUR (4) ANCHOR LOCATIONS



1" MULL CLIP  
W/TABS REMOVED  
(CLIP TO MULL)  
EXTRUSION DWG #1099



(1) ONE (1) ANCHOR LOCATION



(2) THREE (3) ANCHOR LOCATIONS

**NOTES:**

- IMPORTANT: QUANTITY OF ANCHORS SHOWN ARE FOR PICTORIAL REPRESENTATION ONLY. FOR CORRECT QUANTITY OF ANCHORS, PLEASE REFER TO CHARTS 1 AND 2 ON SHEET 5. FIND THE CORRECT MULL SIZE AND PRESSURE REQUIRED FOR YOUR SPECIFIC APPLICATION.
- 3/8 MIN. EDGE DISTANCE APPLIES TO ALL DIMENSION SHOWN AS MAX.
- REFERENCE TEST REPORTS: FTL-2902, 2903 AND 2975.

TO BE USED ONLY WITH PGT INDUSTRIES PRODUCTS	
Revised By: F.K.	Date: 5/30/06
Revised By: F.K.	Date: 5/8/06
Drawn By: P.J.P.	Date: 4/28/00
Description: 1" STD. WALL, ANCHOR LOCATIONS	
Title: ALUMINUM TUBE CLIPPED MULLION	
Series/Model: MULLS	Scale: NTS
Sheet: 3	of 5
Drawing No. 6220	Rev: D

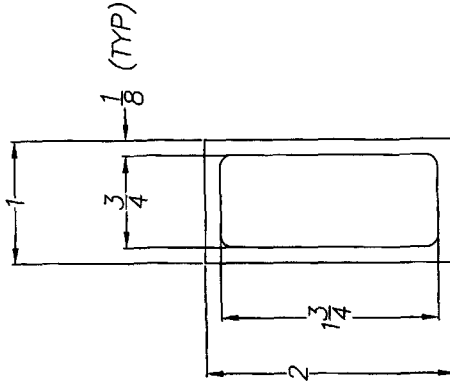
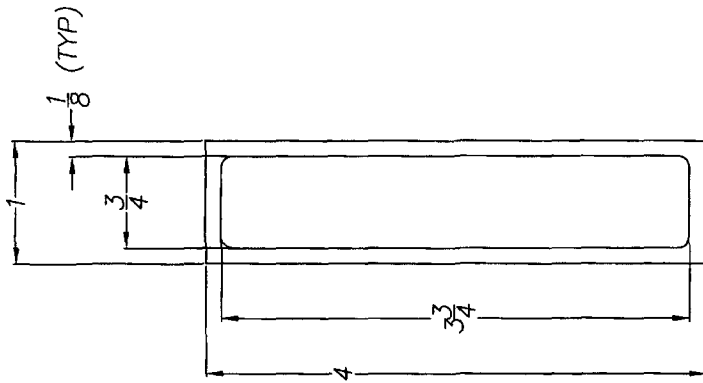


1070 TECHNOLOGY DRIVE  
NOKOMIS, FL 34275  
P.O. BOX 1529  
NOKOMIS, FL 34274

*Robert L. Clark*  
5/30/06  
Robert L. Clark, P.E.  
PE #39712  
Structural

PRODUCT REVIEWED  
in compliance with the Florida  
Building Code  
Acceptance No. 06-015-06  
Expiration Date 06/12/11  
*Robert L. Clark*  
Structural Engineer

CLIP LENGTH CHART FOR 1x MULL	
MULL SIZE	'A'
1 x 2 x 1/8	1 11/16
1 x 4 x 1/8	3 11/16



1x STD. WALL MULLS  
MAT'L: 6063-T6

PRODUCT GENIUS  
in compliance with the Florida  
Building Code.  
Approved By: *06-07-04*  
Expiration Date: *06-07-04*  
*Robert L. Clark*  
Professional Engineer  
No. 12345  
State of Florida

TO BE USED ONLY WITH PGT INDUSTRIES PRODUCTS	
Revised By: F.K.	Date: 1/9/06
Revisions: B-NO CHG. THIS SHIT.	
Revised By: F.K.	Date: 5/8/06
Revisions: C-NO CHG. THIS SHIT	
Drawn By: P.J.P.	Date: 4/28/00
Description: 1" STD. WALL, MULLION PROFILES	



1070 TECHNOLOGY DRIVE  
NOKOMIS, FL 34275  
P.O. BOX 1529  
NOKOMIS, FL 34274

*Robert L. Clark*  
5/29/00

Robert L. Clark, P.E.  
PE #38712  
Structural

NOTE:

1. REFERENCE TEST REPORT FTL-2902, 2903 AND 2975

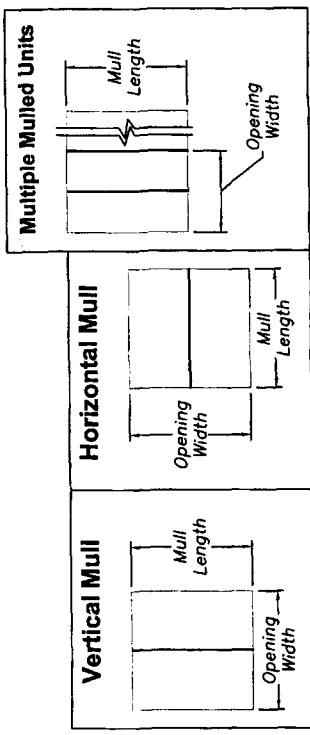
Title:	ALUMINUM TUBE CLIPPED MULLION
Series/Model:	MULLS
Scale:	1X
Sheet:	4 of 5
Drawing No.	6220
Rev:	D

**CHART 1. - 1x2x.125**

QTY. & TYP. ANCHOR	OPENING WIDTH IN INCHES									
	50	60	70	80	90	100	110	120	130	160
CLIP TO OPENING	(2) A	(2) A	(2) A	(2) A	(2) A	(2) A	(2) A	(2) A	(2) A	(2) A
	(2) B	(2) B	(2) B	(2) B	(2) B	(2) B	(2) B	(2) B	(2) B	(2) B
CLIP TO MULL	(1) B	(1) B	(1) B	(1) B	(1) B	(1) B	(1) B	(1) B	(1) B	(1) B
MULL LENGTH IN INCHES	42	129	115	107	104	103	103	103	103	103
	48	83	73	67	63	61	61	61	61	61
	50.625	70	61	55	52	50	49	49	49	49
	54	57	49	44	41	39	38	38	38	38
	60	41	35	31	29	27	26	25	25	25
	63	35	30	27	24	23	22	21	20	20
	66	30	26	23	21	19	18	17	17	17
	72	23	20	17	16	-	-	-	-	-
	76	20	17	15	-	-	-	-	-	-
	78	18	15	-	-	-	-	-	-	-

**CHART 2. - 1x4x.125**

QTY. & TYP. ANCHOR	OPENING WIDTH IN INCHES									
	50	60	70	80	90	100	110	120	130	160
CLIP TO OPENING	(2) A	(2) A	(2) A	(2) A	(2) A	(2) A	(2) A	(2) A	(2) A	(2) A
	(4) B	(4) B	(4) B	(4) B	(4) B	(4) B	(4) B	(4) B	(4) B	(4) B
CLIP TO MULL	(3) B	(3) B	(3) B	(3) B	(3) B	(3) B	(3) B	(3) B	(3) B	(3) B
MULL LENGTH IN INCHES	42	170	170	170	170	170	170	170	170	170
	48	170	170	170	170	170	170	170	170	170
	50.625	170	170	170	170	170	170	170	170	170
	54	170	170	170	162	158	157	157	157	157
	60	170	170	157	143	134	127	124	122	122
	63	170	160	141	128	119	112	108	106	106
	66	170	145	127	115	106	100	96	93	92
	72	142	120	105	95	87	81	77	74	72
	76	120	102	90	81	74	69	65	63	61
	78	111	94	83	74	68	63	60	57	55
	84	88	75	65	59	53	49	46	44	42
	90	72	60	53	47	43	39	37	35	33
	96	59	50	43	38	35	32	30	28	27
	108	41	35	30	27	24	22	20	19	18
	111	38	32	28	24	22	20	19	17	16
	144	17	-	-	-	-	-	-	-	-



**NOTES:**

1. MAXIMUM ALLOWABLE PRESSURE IN PSF.
2. DESIGN IS BASED ON OPENING WIDTH. FOR MULTIPLE UNITS, CONSIDER ONLY TWO ADJACENT UNITS AT A TIME. SEE SHEET 1.
3. REFERENCE TEST REPORT FTL-2902, 2903 AND 2975
4. ANCHOR TYPES: A. ELCO 1/4" TAPCONS, EMBED. (1 1/4") OR 1/4" SS4 CRETE-FLEX, EMBED. (1 3/4")  
B. #12 SCREWS
5. SEE ANCHOR SPACING DETAILS SHEET 3.

TO BE USED ONLY WITH PGT INDUSTRIES PRODUCTS

Revised By:	DW	5/30/06	Revisions:
By:	F.K.	5/8/04	D-NO CHG THIS SHIT
Drawn By:	P.J.P.	4/28/00	C-MARKED CHANGES



1070 TECHNOLOGY DRIVE  
NOKOMIS, FL 34475  
P.O. BOX 1529  
NOKOMIS, FL 34474

*[Signature]*  
5/30/06  
Robert L. Clark, P.E.  
PE #39712  
Structural

PRODUCT REVIEWED  
in compliance with the Florida  
Building Code  
Approval No. 06-0125-06  
Expiration Date 07/27/06  
*[Signature]*  
Professional Engineer

Description:		1" STD. WALL, PRESSURE CHARTS 1 & 2	
Title:	ALUMINUM TUBE CLIPPED MULLION		
Series/Model:	MULLS	Scale:	NTS
Sheet:	5	of	5
Drawing No.	6220		Rev:
			D